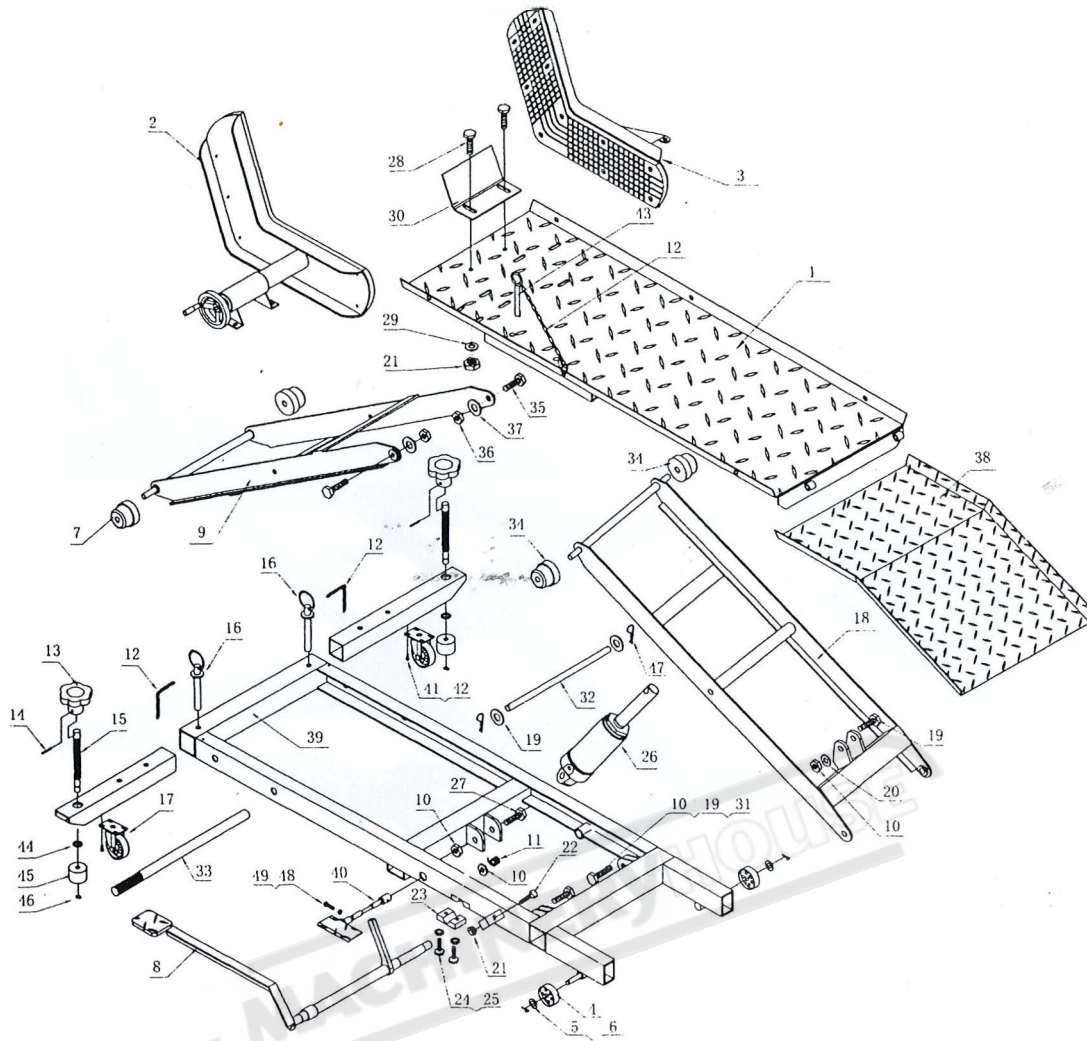


450KG MOTORCYCLE LIFT



Ref #	DESCRIPTION	QTY	Ref #	DESCRIPTION	QTY	Ref #	DESCRIPTION	QTY
1	Platform	1	18	Rear Lifting Arm	1	35	Hex BOlt M12x45	2
2	Movable Vise	1	19	Flat Washer Ø16	4	36	Hex Nut M12	2
3	Fixing Vise	1	20	Hex Bolt M16x18	1	37	Flat WasherØ12	2
4	Wheel	2	21	Hex Nut M10	12	38	Leading Plate	1
5	Flat Washer Ø12	2	22	HexBolt M10x40	1	39	Base Frame	1
6	Split Ring	2	23	Axle Bush	1	40	Release Valve	1
7	Chain Wheel	2	24	Hex Bolt M8x20	2	41	Hex Bolt M6x16	8
8	Foot Pedal	1	25	Lock Washer Ø8	2	42	Lock WasherØ6	8
9	Front Lifting Arm	1	26	Hydraulic Ram	1	43	Rabletop Lock Pin	1
10	Nut M16	5	27	Hex Bolt M16x85	1	44	Flat WasherØ8	2
11	Spring	1	28	Hex Bolt M10x30	10	45	Set Base	2
12	Chain	3	29	Flat Washer Ø10	10	46	Snap Ring	2
13	Handwheel	2	30	Fender	1	47	"R" Pin	2
14	Spring Pin	2	31	Hex BOlt M16x40	2	48	Nut M6	8
15	Screw	2	32	Middle Shaft	1	49	Hex BOlt M8x20	2
16	Lock Pin	2	33	Safety Handle	1	50	Nut M8	2
17	2"Swivel Caster	2	34	Upper Wheel	2			